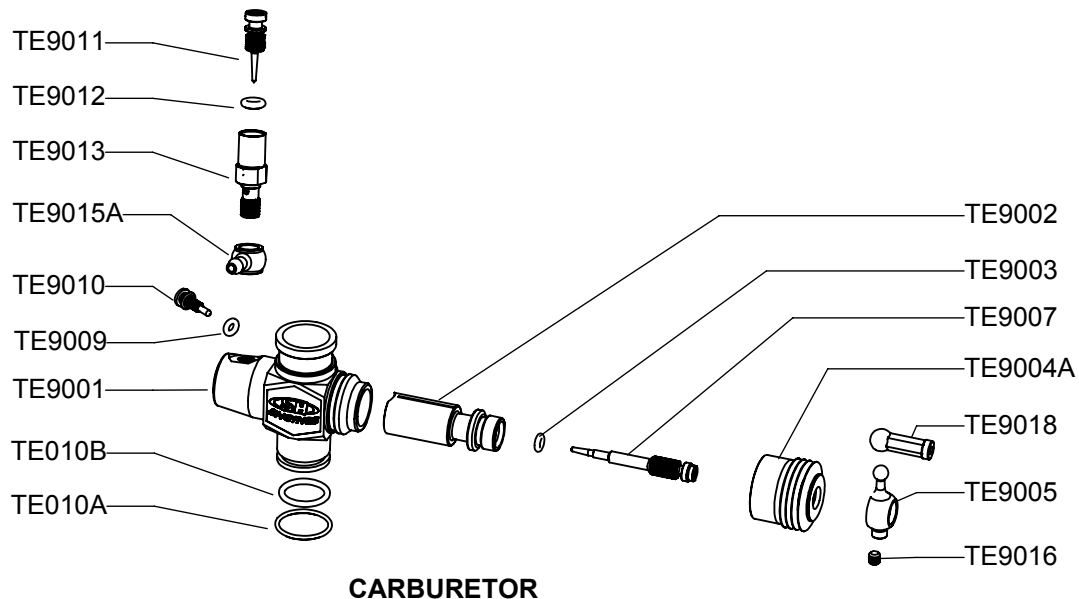
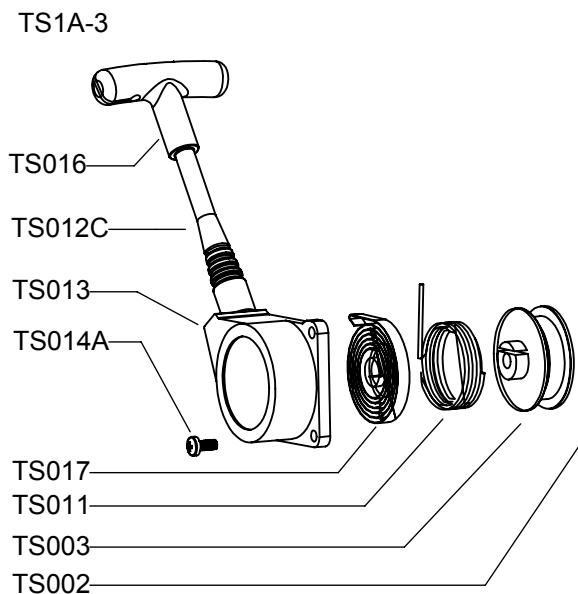


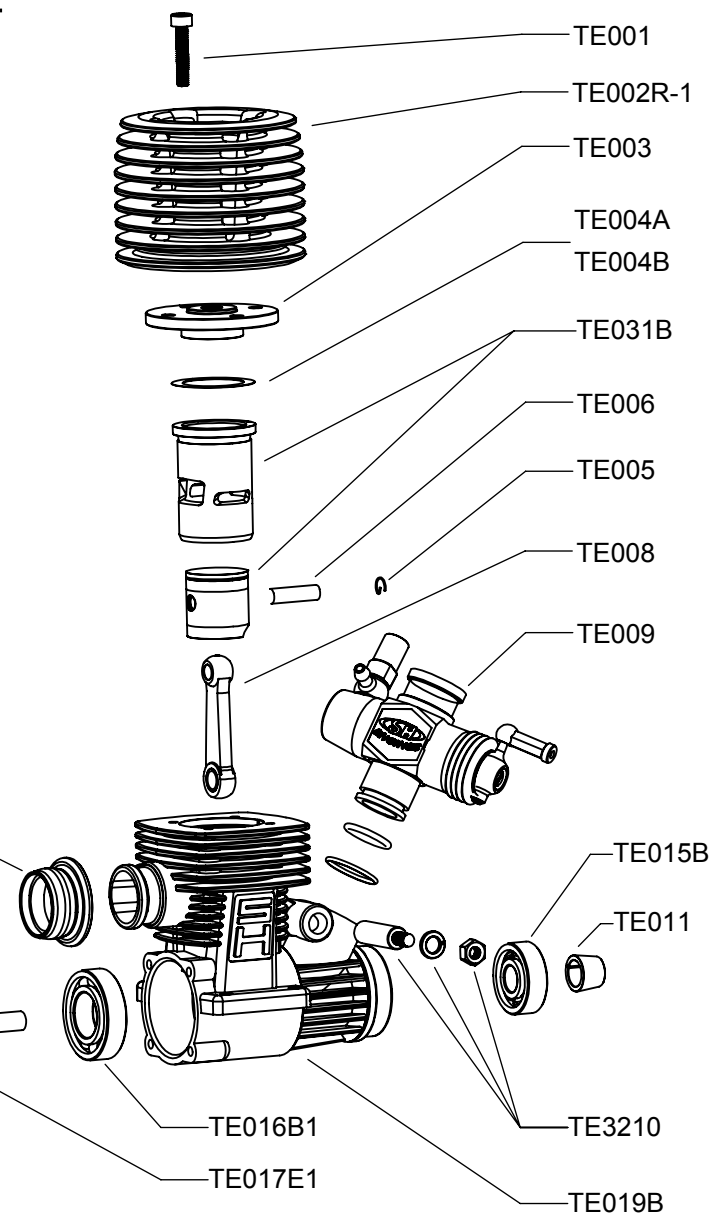
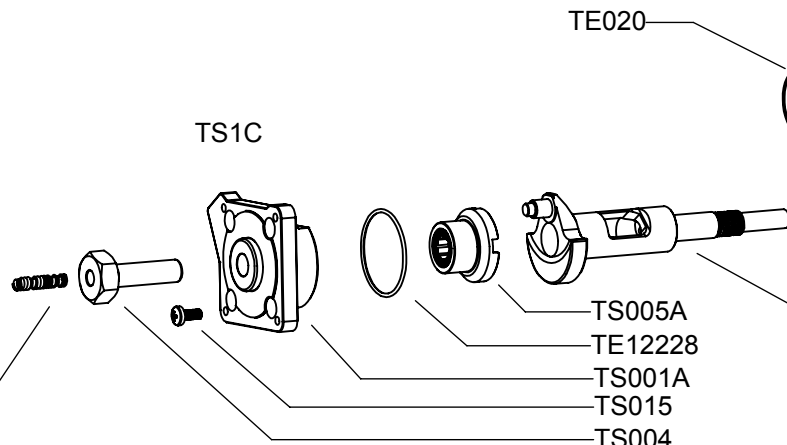
# 21 REAR EXHAUST ENGINE WITH PULLSTARTER



**CARBURETOR**



**TS1C**



**TECHNICAL DATA:**

Type:	Cubic Capacity:	Bore:	Stroke:	R.P.M.:	Power:	Weight:
PT002B5	3.48cc	16.40mm	16.40mm	28000	2.1	320g